

MX5100TA NFC Upgrade-Kit Manual

2024. 02. 05.

Revision History




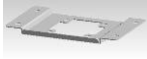


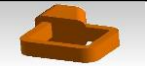
Rev.	Date	WRT	CHK	APL	Contents
00	2024.02.05				First Edition

Purpose, Part List

■ Purpose

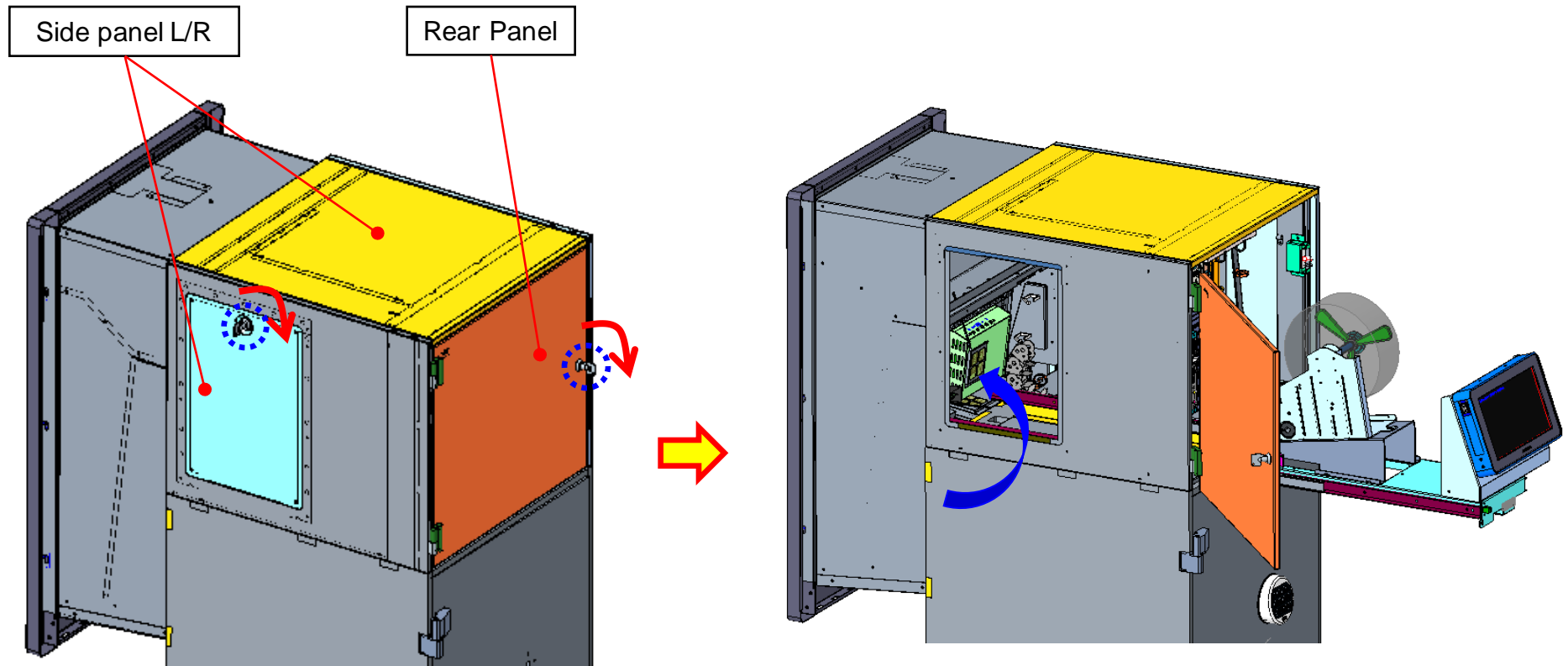
NFC Assembly (Upgrade Kit)

■ Parts

No	Part No.	Part Name	Q'ty	Etc.
1	4933001105	WINDOW:NFC_KIOSK4	1	
2	4970002669	SPONGE:WINDOW_NFC	1	
3	5412000140	UNIT:VIVOPAY KIOSK IV(IDVK-411):IDTECH	1	
4	4010033425	BRKT:NFC_KIOSK4_HOLD	1	
5	3368000005	ETC:RETANER_COIL_105	1	
6	44683801	SCREW:TRUSS:TAP-2:M4X8:W/ZN	3	
7	3400000083	USB_CABLE:AM TO MICB:STR:2M	1	
8	33659001	CABLE_TIE:CABLE:BLACK:100		

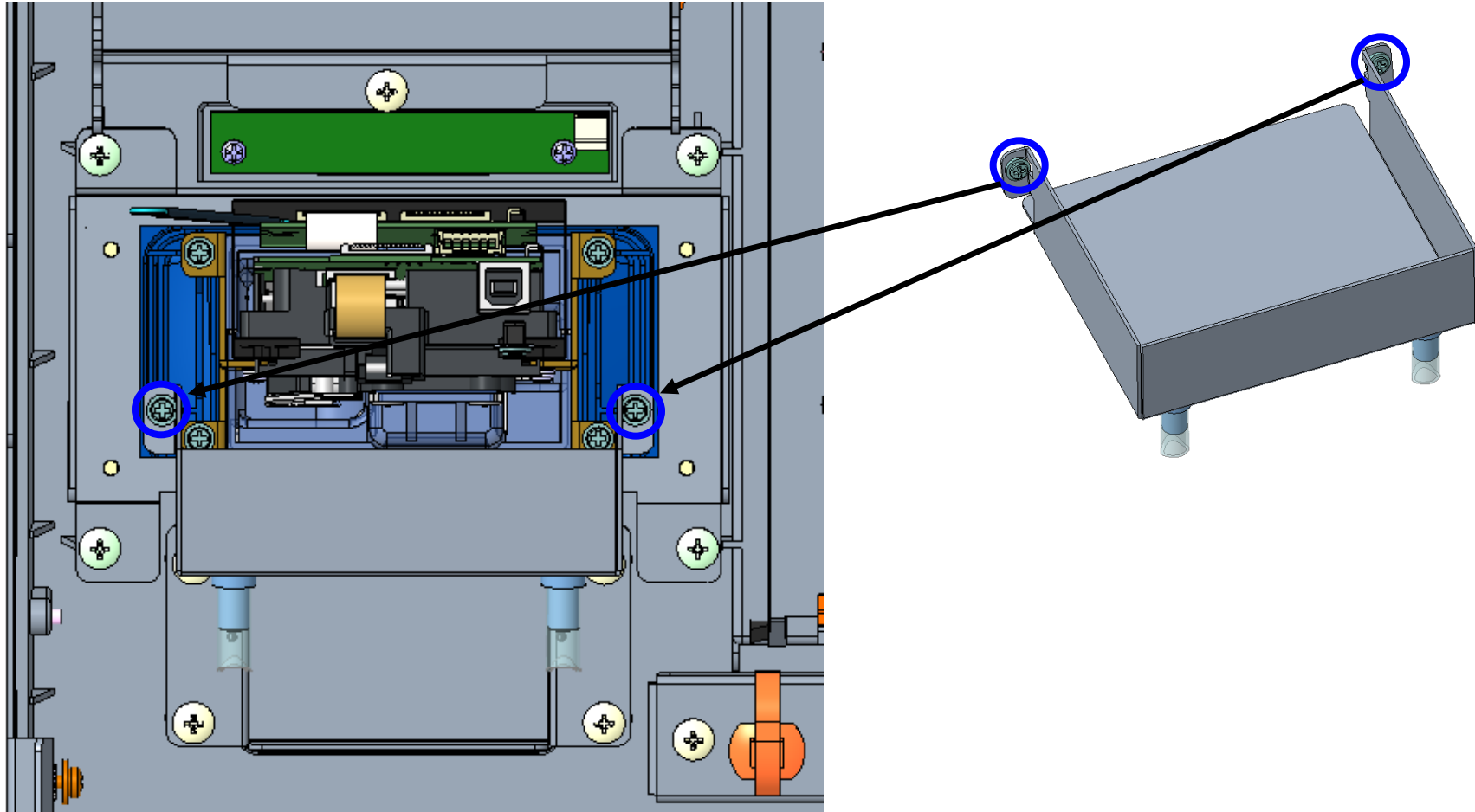
[Step 1] Side panel and the rear panel open

1. Use the system key to unlock the right and left sides of the side panel and the rear panel, then unlock the system as shown in the image.
2. Decompose the nfc through the side panel.



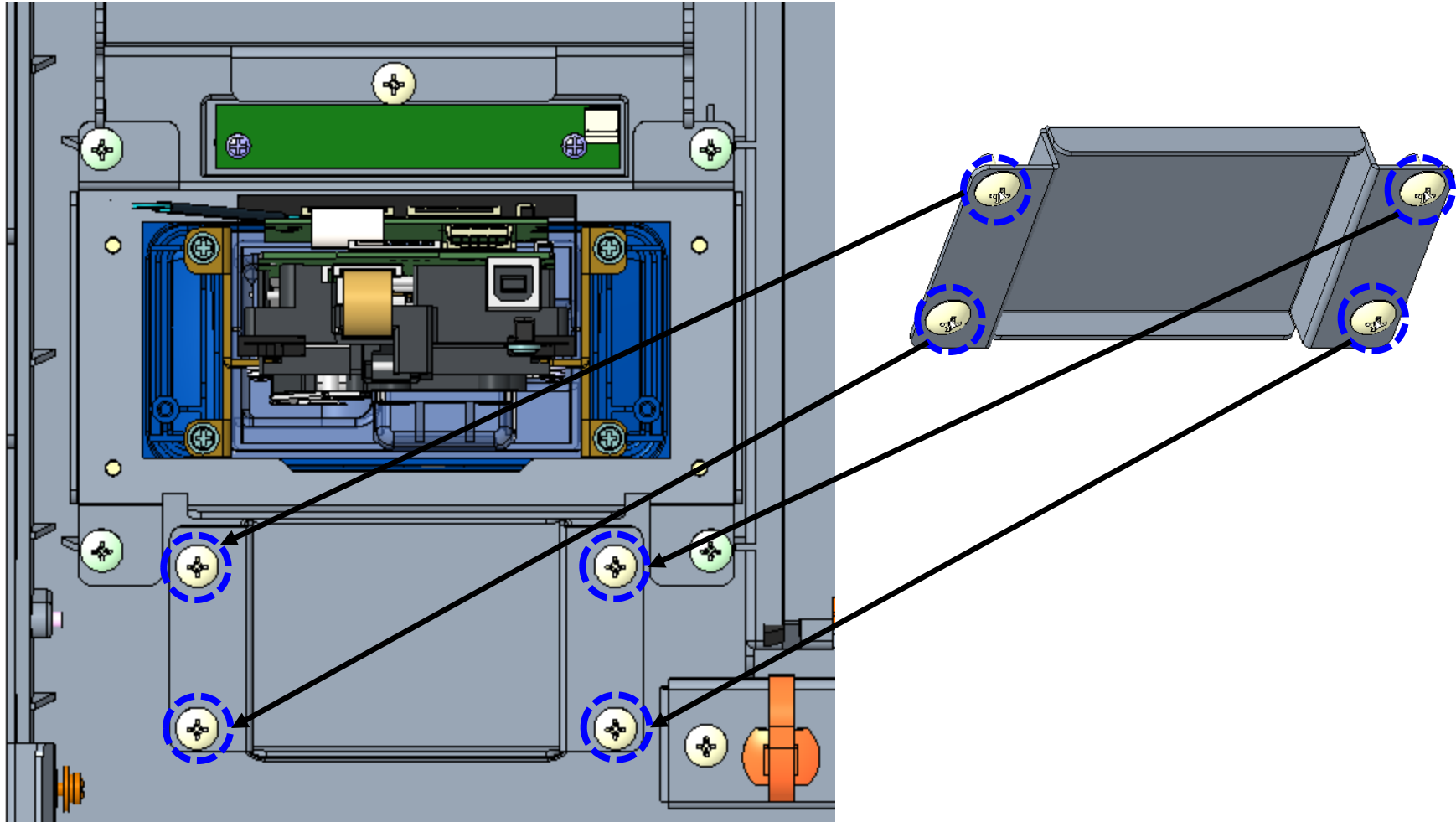
[Step 2] Front panel Decomposition

1. Unscrew the two fixing pieces on the Right and Left of the Front panel. (requires both left and right release) → "O" marked part



[Step 3] Front panel Decomposition

1. Unscrew the four fixing pieces on the Right and Left of the Front panel. (requires both left and right release) → "O" marked part

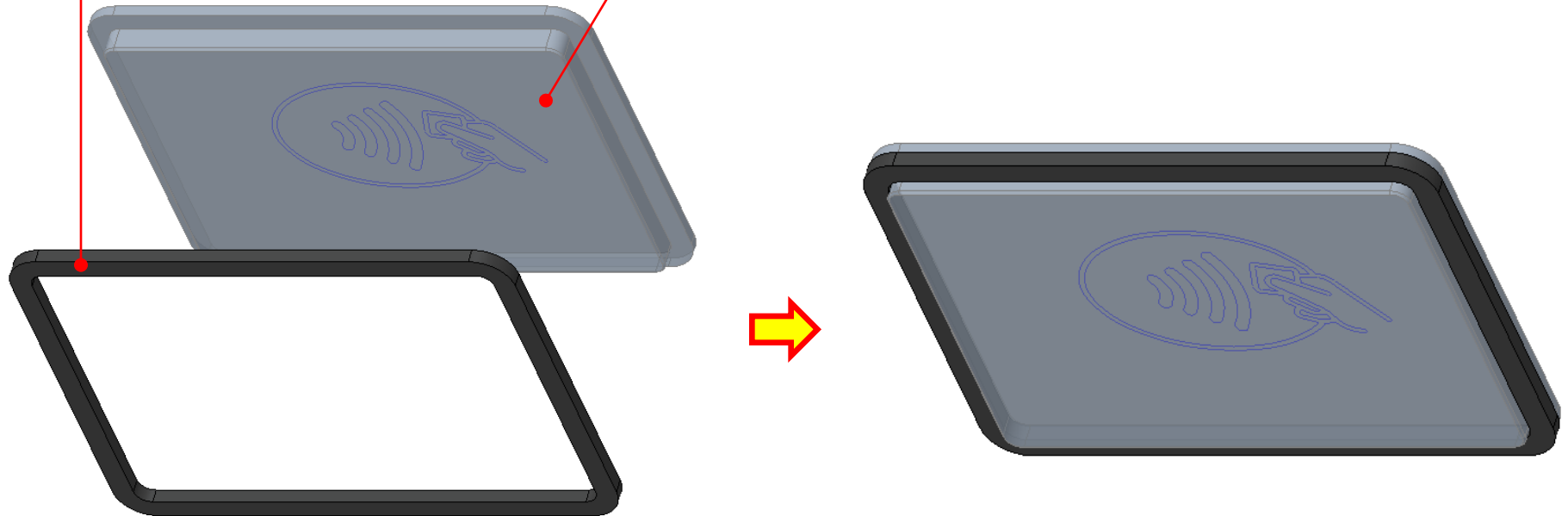


[Step 4] NFC Part Sub Assembly

1. Assemble NFC fixed sponge and window. (4970002669, 4933001105)

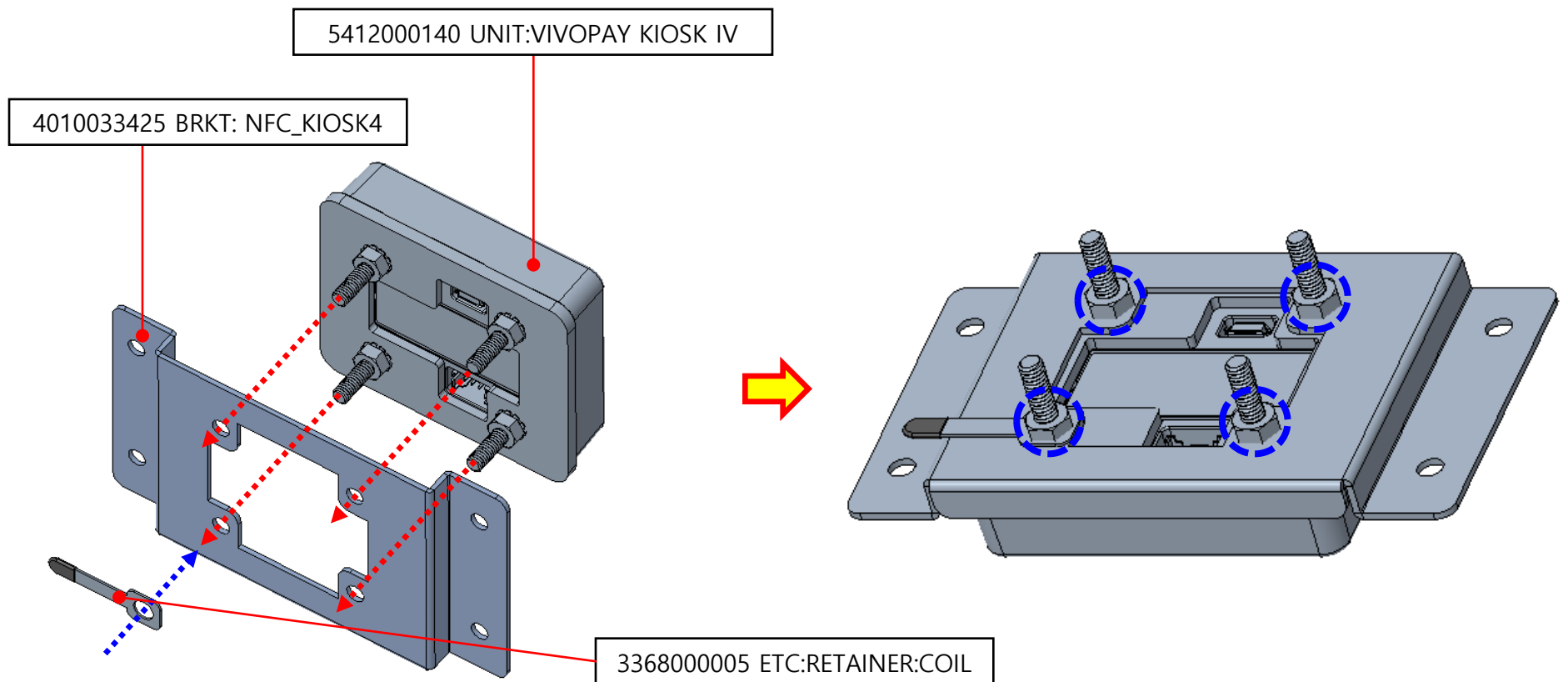
4970002669 SPONGE:
WINDOW_NFC

4933001105 WINDOW: NFC_KIOSK4



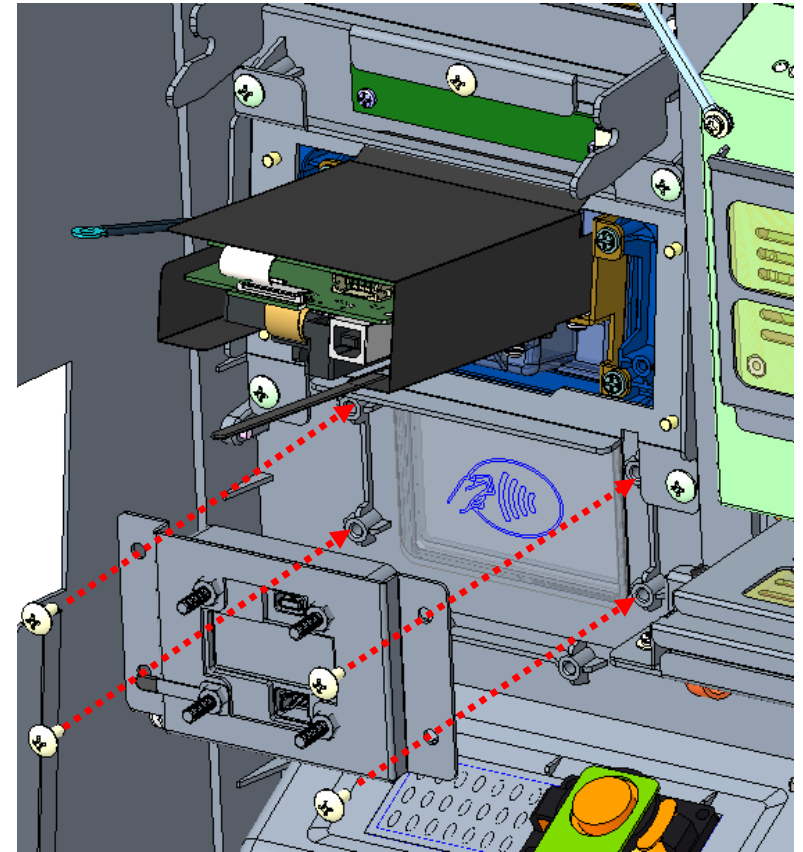
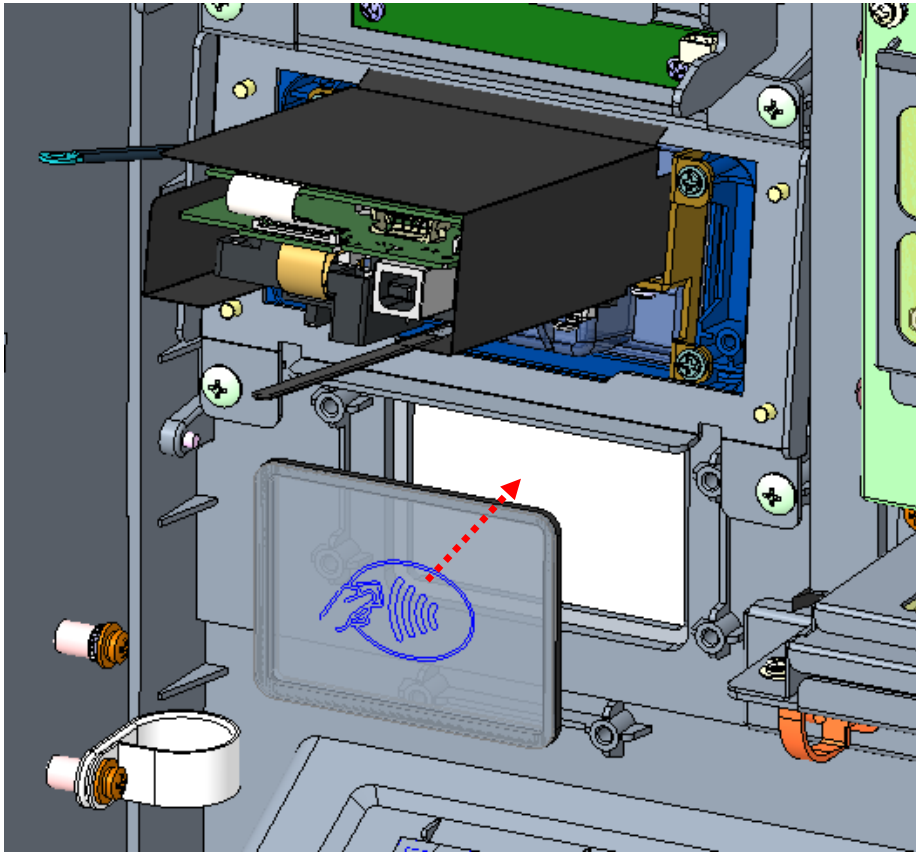
[Step 5] NFC Part Sub Assembly

1. Assemble NFC fixed brkt and module. (4010033425, 5412000140)
2. When fixing the NFC, remove the nut from the module, combine the stud bolt and brkt, and re-tighten the nut to assemble.



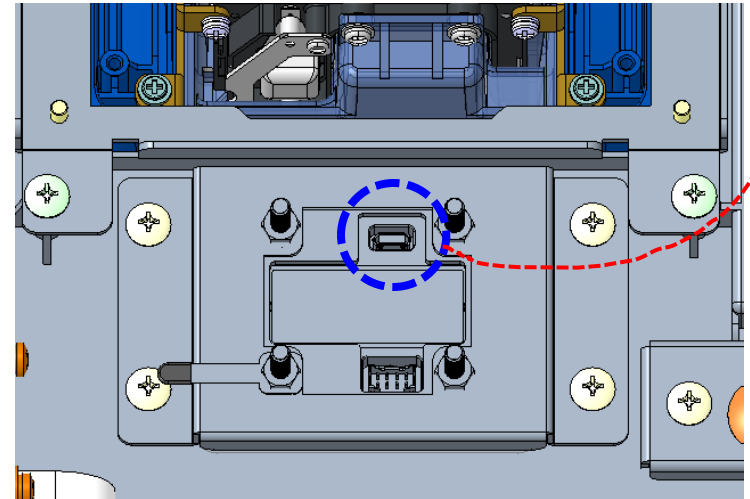
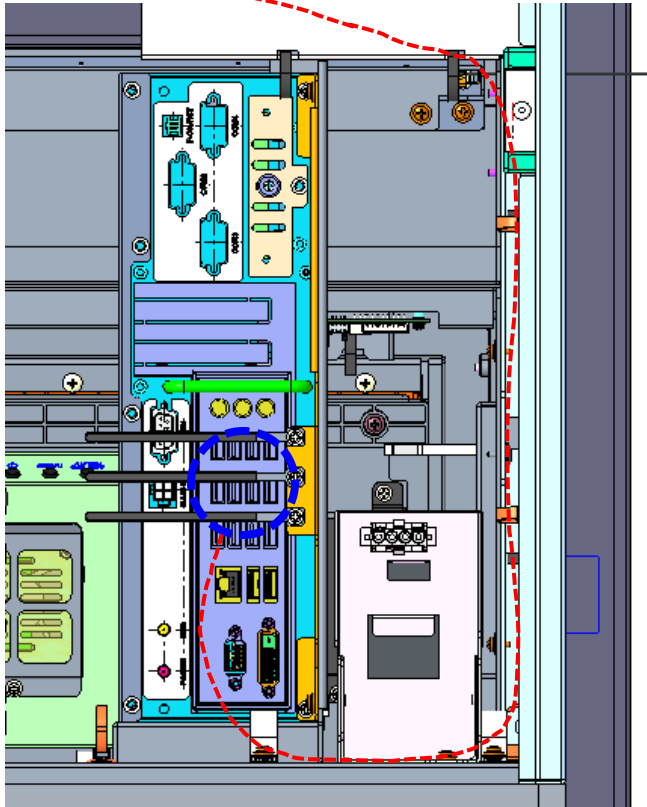
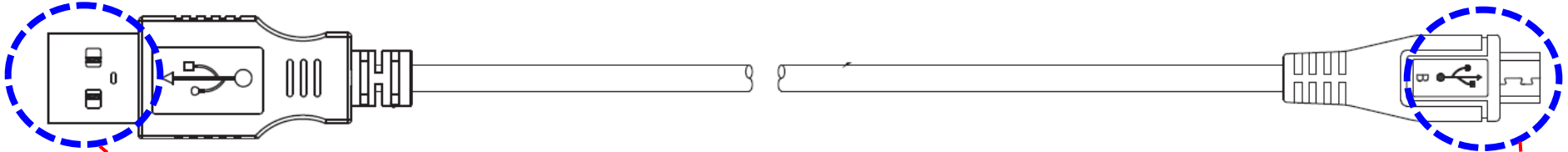
[Step 6] NFC Part Assembly

1. Fix the NFC module mounted on brkt. (44654303 → 4ea)



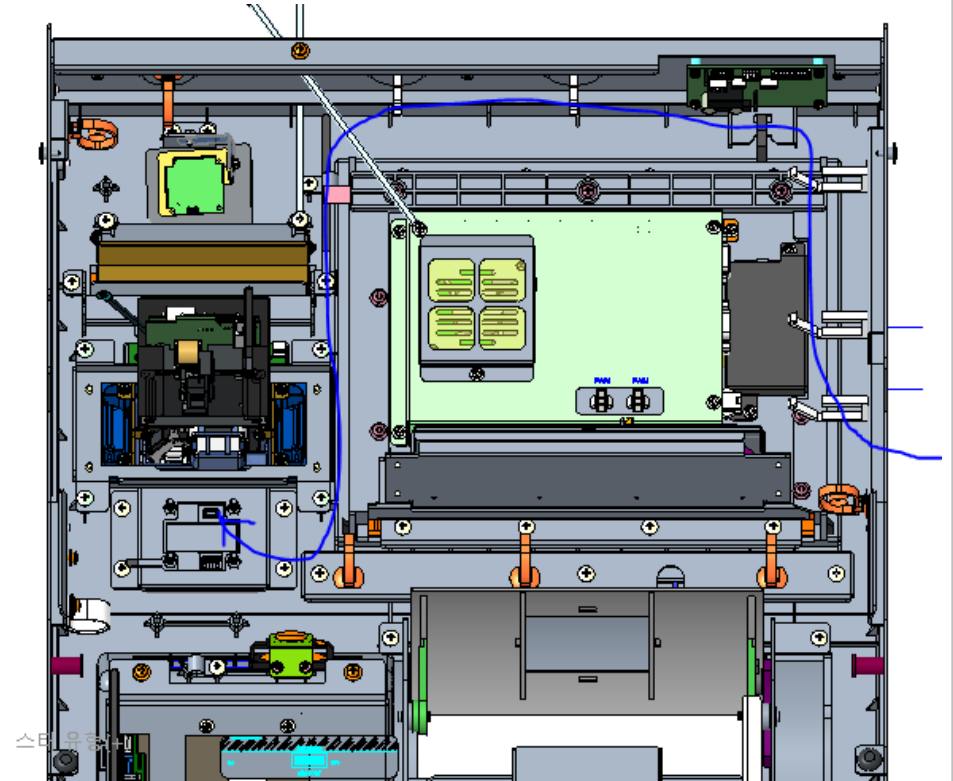
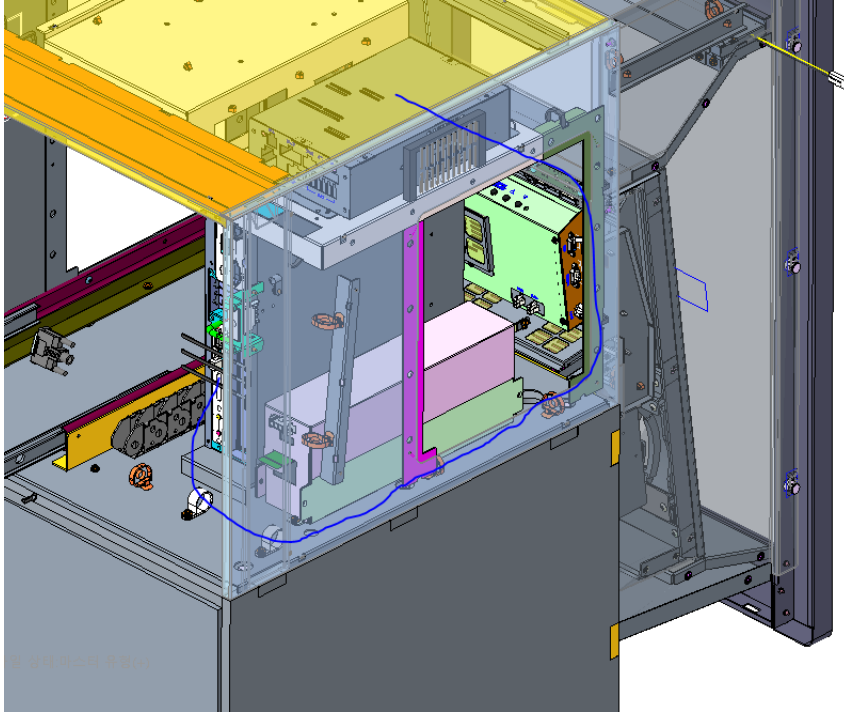
[Step 7] NFC Cabling

1. Connect to the usb2 port on the front of the CE (3400000083)



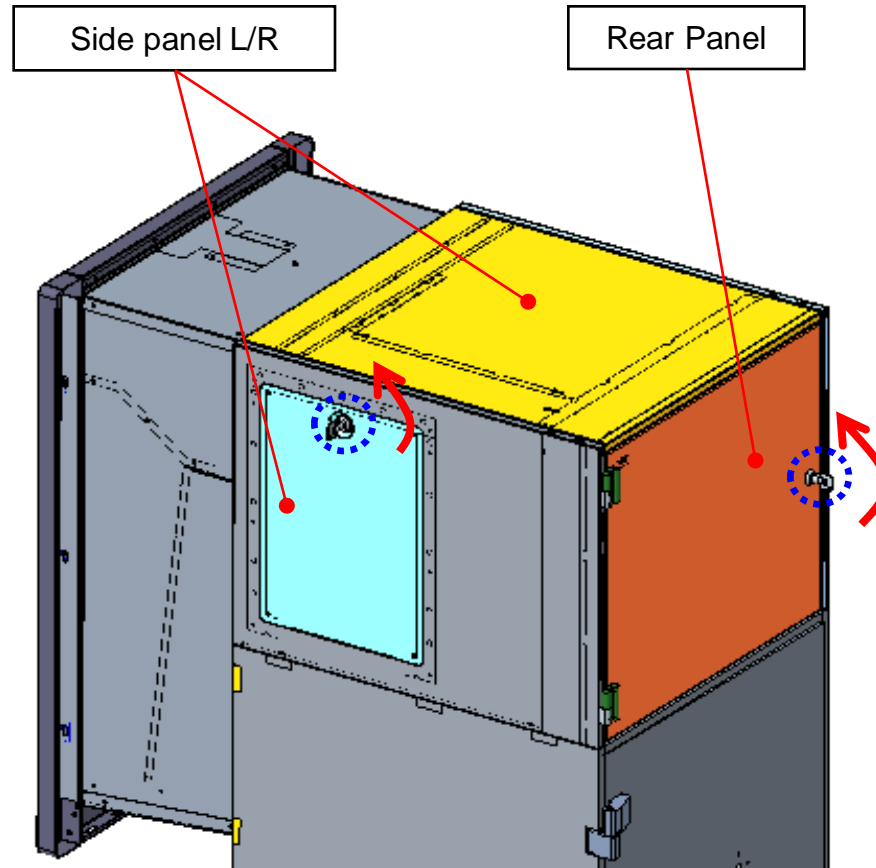
[Step 8] NFC Cabling

1. nfc cable assembly, Refer to the image below (3400000083)



[Step 9] Fixing the side panel and the rear panel

1. Use the system key to lock the right and left sides of the side and rear panels, and then secure them to the system as shown in the image.



[Step 10] Labeling (NFC Label)

1. As Label the groove as shown below

