

Instructions for MX5200 NFC KIOSK IV module Install UP-KIT

Mar.12.2024

Revision History


Rev.	Date	WRT	CHK	APL	Contents
00	Mar.12.2024	SHIN.CS	LEE.JO	LEE.DS	First Edition

Purpose, Part List


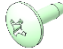




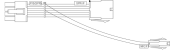



■ Purpose

These are the instructions for how to install NFC KIOSK IV module for MX5200

■ Tools

Screwdriver (+)	
-----------------	---

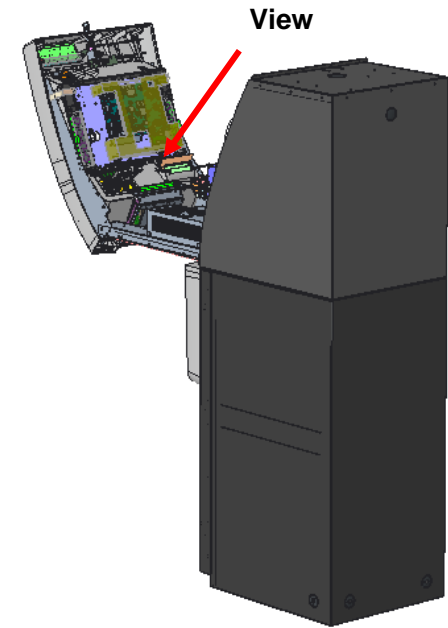
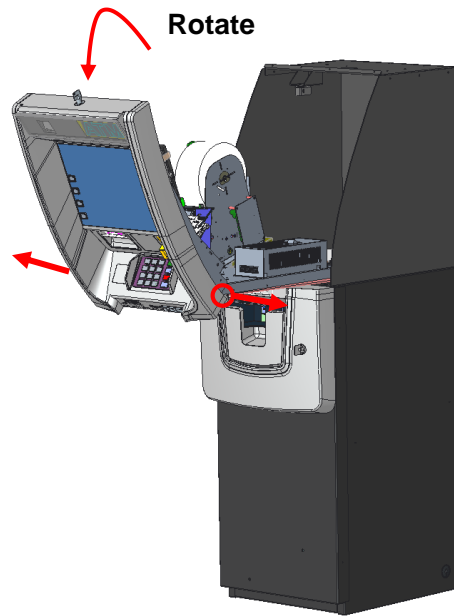
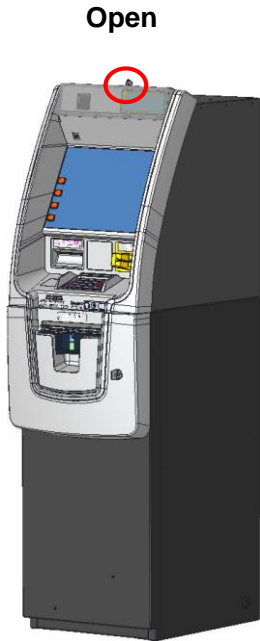
■ Parts

No	Part No.	Part Name	EA	Picture
1	4010037043	BRKT:NFC_KIOSK4_BRIDGE	1	
2	44683701	SCREW:TRUSS:TAP-2:M4X10:W/ZN	3	
3	5412000140	UNIT:VIVOPAY KIOSK IV(IDVK-411):IDTECH	1	
4	4060004573	COVER:NFC_KIOSK4	1	
5	3368000005	ETC:RETAINER:COIL_105L:PVC_COATING:DABE2	1	
6	44651302	SCREW:PH:M3X6:S/W:F/W(L):W/ZN	1	
7	3200012336	CABLE_ASSY:VIVO4_SPR_PWR_IF:TTW	1	
8	3200009956	CABLE_ASSY:MBD(CN12)NFC_IF:550MM	1	
9	5721004545	LABEL:RF_CONTECT_IMAGE	1	
10	33659001	TIE:CABLE:BLACK:100	2	

Work Process and Time

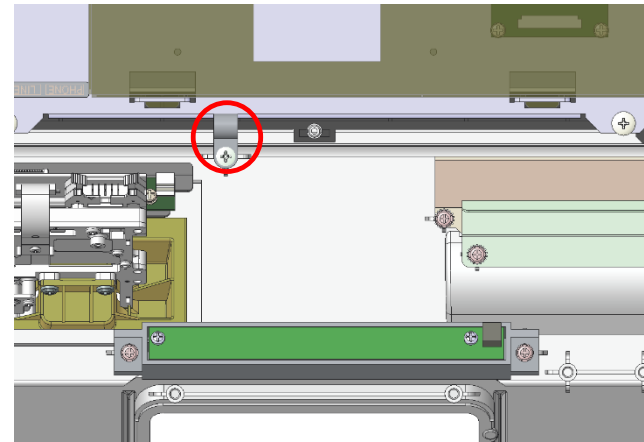
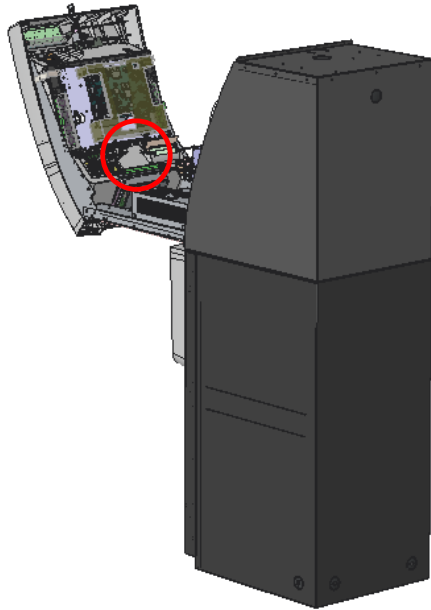
No	Step	Work Hours	Notes
1	Prepare to Assemble	5 mins	
2	Assemble NFC Module	10 mins	
Total		15 mins	

[Step 1-1] Prepare to Assemble



- Pull the front forward
- Loosen the two screws on both sides and rotate the front

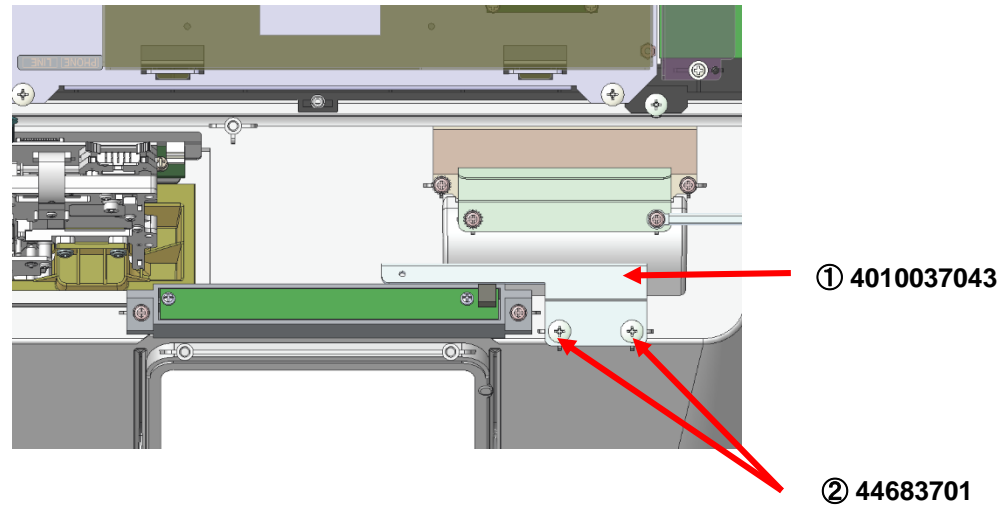
[Step 1-2] Prepare to Assemble



- Loosen the screw and disassemble the clamp.

[Step 2-1] Assembly NFC Module

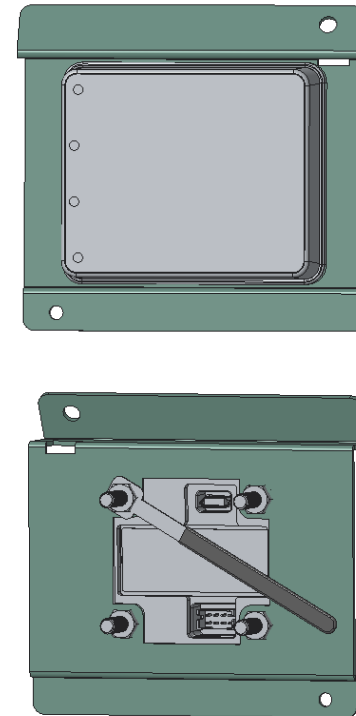
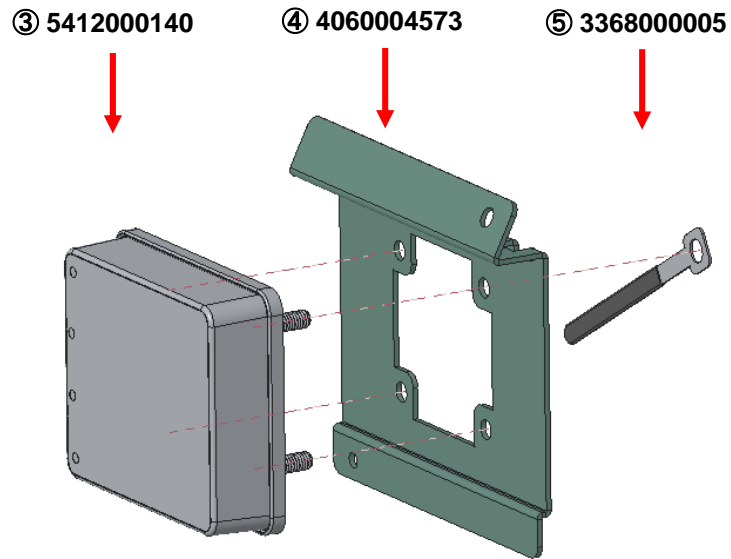
No.	Part No.	Qty	Item
1	4010037043	1	BRKT:NFC_KIOSK4_BRIDGE
2	44683701	2	SCREW:TRUSS:TAP-2:M4X10:W/ZN



- Assembly a new bracket.

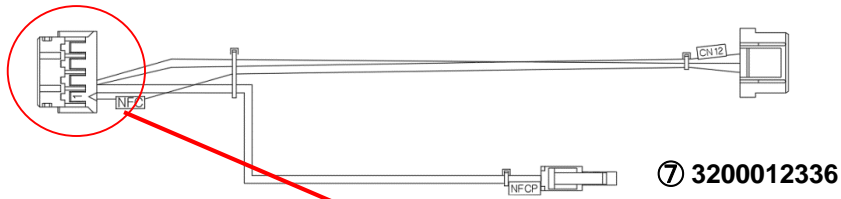
[Step 2-2] Assembly NFC Module

No.	Part No.	Qty	Item
3	5412000140	1	UNIT:VIVOPAY KIOSK IV(IDVK-411):IDTECH
4	4060004573	1	COVER:NFC_KIOSK4
5	3368000005	1	ETC:RETAINER:COIL_105L

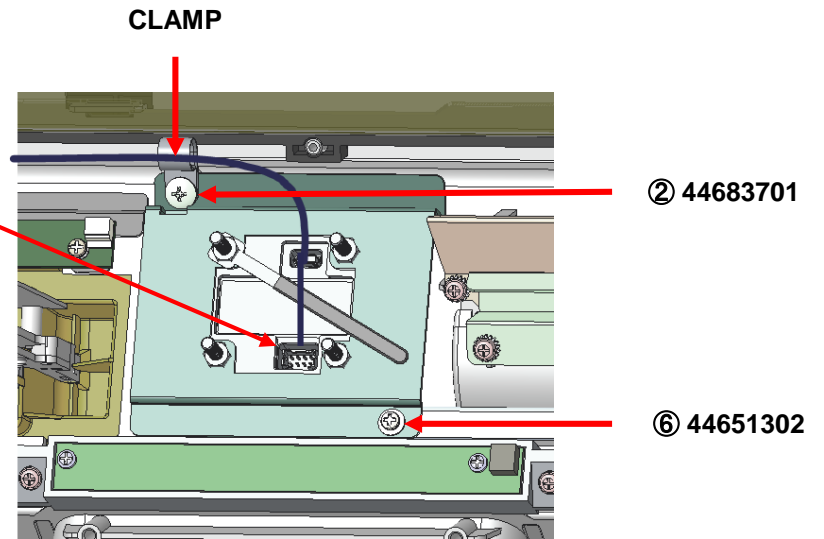
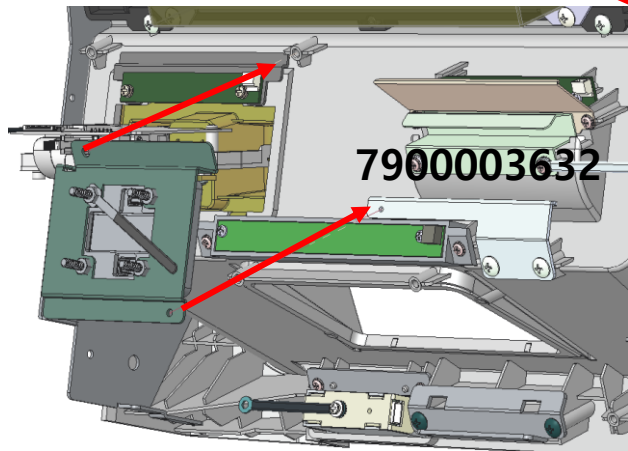


- Subassembly NFC and cover sheet metal.

[Step 2-3] Assembly NFC Module



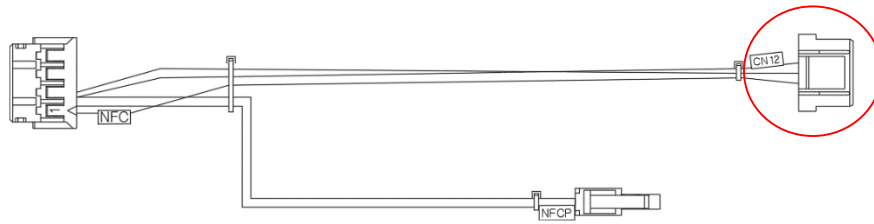
No.	Part No.	Qty	Item
6	44651302	1	SCREW:PH:M3X6:SW:F/W(L):W/ZN
7	3200012336	1	CABLE_ASSY:VIVO4_SPR_PWR_IF:TTW
2	44683701	1	SCREW:TRUSS:TAP-2:M4X10:W/ZN



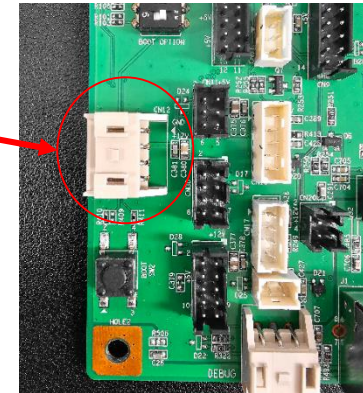
- Assembly the subassembly.

[Step 2-4] Assembly NFC Module

No.	Part No.	Qty	Item
7	3200012336	1	CABLE_ASSY:VIVO4_SPR_PWR_IF:TTW



⑦ 3200012336

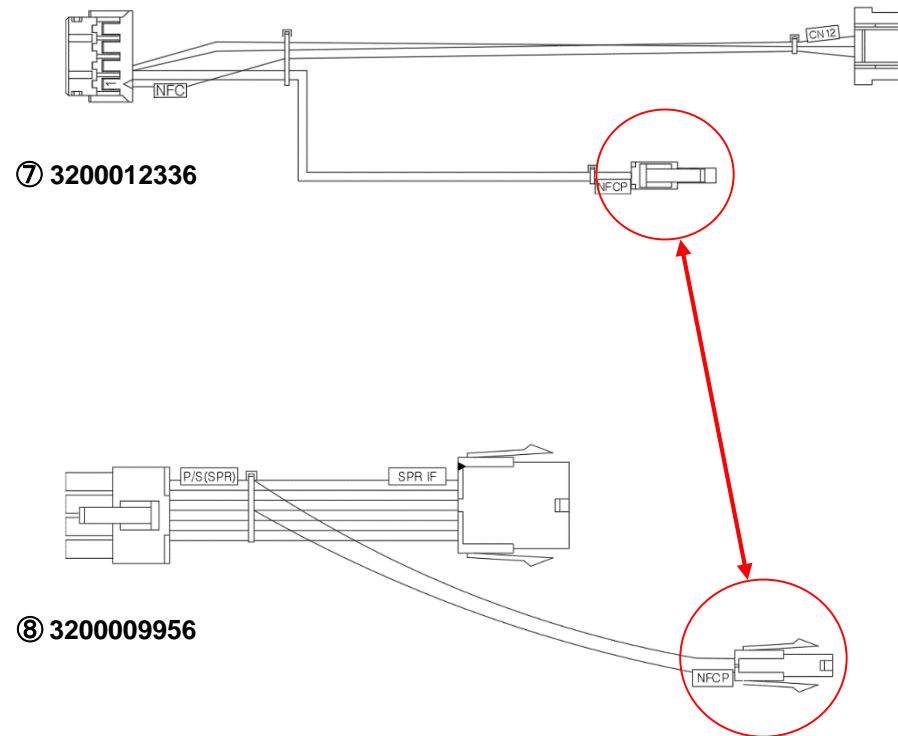


M/B CN12

- Assemble the Cable.

[Step 2-5] Assembly NFC Module

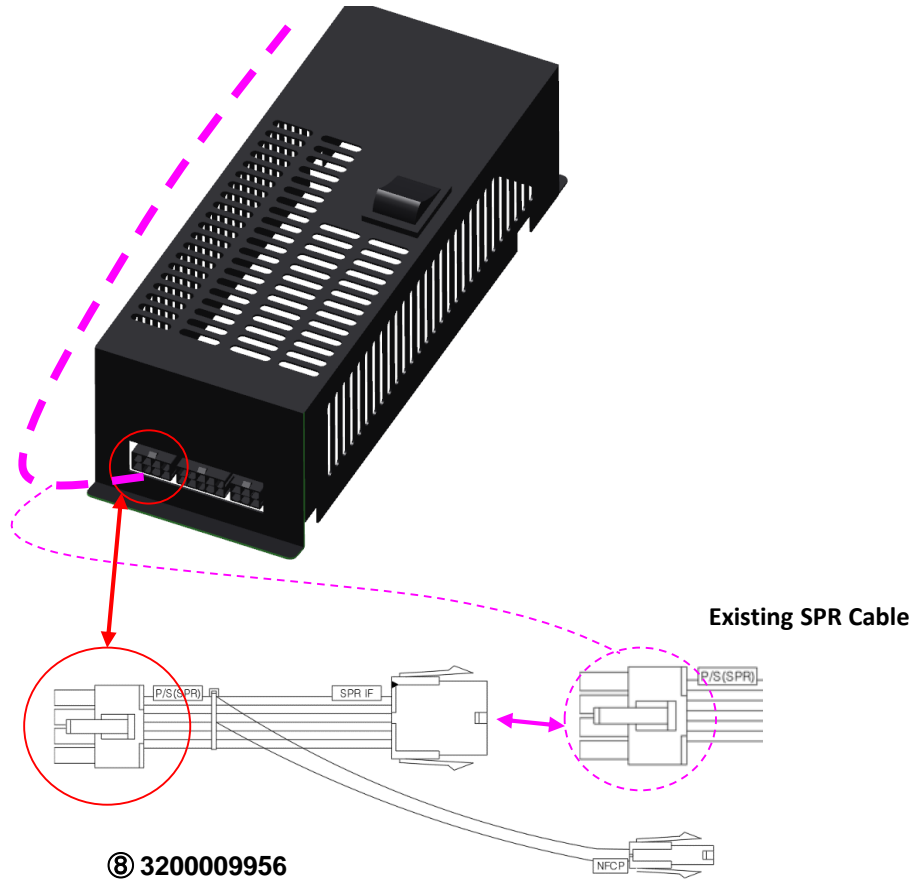
No.	Part No.	Qty	Item
7	3200012336	1	CABLE_ASSY:VIVO4_SPR_PWR_IF:TTW
8	3200009956	1	CABLE_ASSY:MBD(CN12)NFC_IF:550MM



- Assemble the Cable.

[Step 2-6] Assembly NFC Module

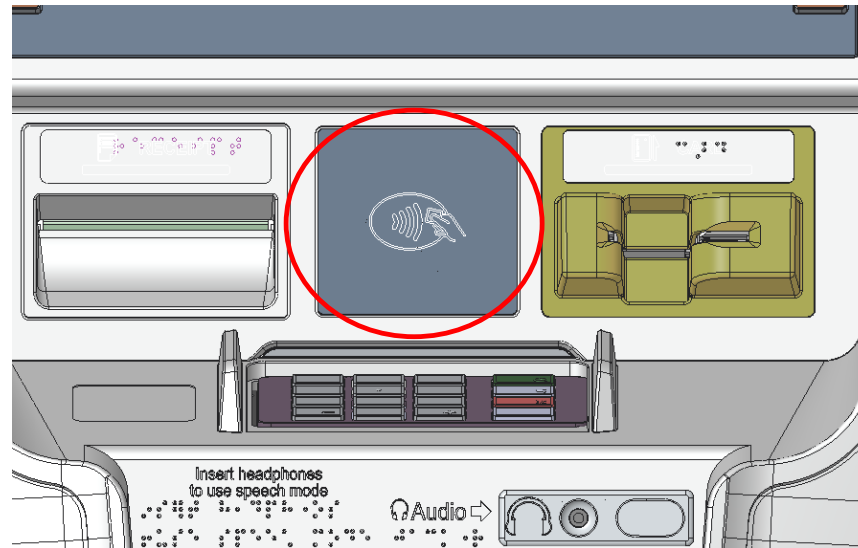
No.	Part No.	Qty	Item
8	3200009956	1	CABLE_ASSY:MBD(CN12)NFC_IF:550MM



- Assemble the Cable.

[Step 2-7] Assembly NFC Module

No.	Part No.	Qty	Item
9	5721004545	1	LABEL:RF_CONTECT_IMAGE



- Assembly the label.